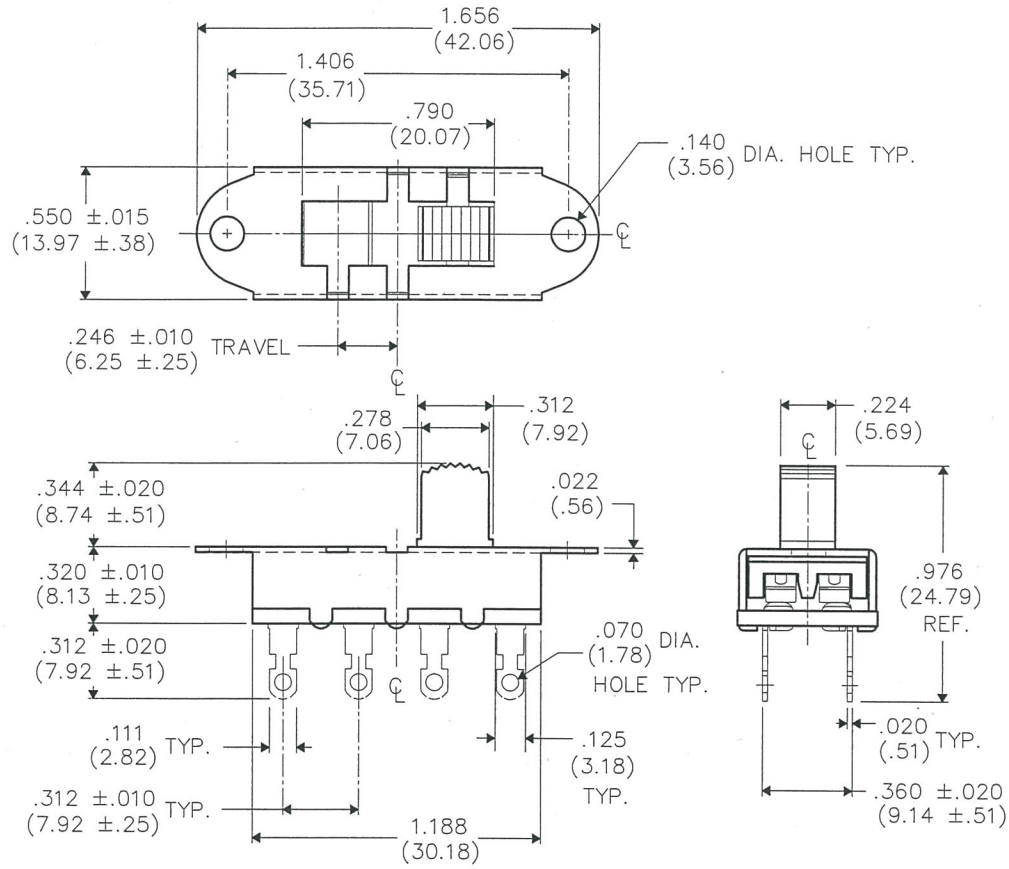


DIMENSIONS IN INCHES (MILLIMETERS)
DO NOT SCALE DRAWING

Dwg. No.

G-628S-0021



F
D
C
B
A
 THIS INFORMATION IS CONFIDENTIAL AND PROPRIETARY TO CW INDUSTRIES INCORPORATED AND ITS AFFILIATES. IT MAY NOT BE DISCLOSED TO ANYONE, OTHER THAN CW INDUSTRIES PERSONNEL, WITHOUT WRITTEN AUTHORIZATION FROM CW INDUSTRIES INCORPORATED, SOUTHAMPTON, PENNSYLVANIA USA.

1 2 3 4 5 6 7 8 9 10

B-FORMAT 2002
 REVISIONS
 0
 RELEASED: 1-19-16
 DGW JAN 25 2016

CW INDUSTRIES Southampton, Pa. 18966		Title: SWITCH ASSEMBLY D.P. - 3 POS.	
TOLERANCES UNLESS OTHERWISE SPECIFIED			
2 Place Decimal ±.010	METRIC		
3 Place Decimal ±.005	1 Place Dec. ±.25mm	2 Place Dec. ±.13mm	
Angles ±1°			
Made for: CW IND.	Division:		SWITCH
Drawn by: DGW 1-19-16	Dwg. No.:		G-628S-0021
Checked by: <i>G. Guld 1-21-16</i>			
Approval: <i>G. Guld 1-21-16</i>			

MASTER